

# 8MP Network IR Fixed Dome Camera

IPC3618SR3-DPF28(40)M



## Key Features



## Optics

- Day/night functionality
- Smart IR , up to 30m (98ft) IR distance
- Optical glass window with higher light transmittance
- IR anti-reflection window to increase the infrared transmittance
- 2D/3D DNR (Digital Noise Reduction)
- Up to 120dB WDR (Wide Dynamic Range)

## Compression

- Ultra 265, H.264, MJPEG
- Triple streams
- 9:16 corridor format

## Network

- ONVIF Conformance

## Structure

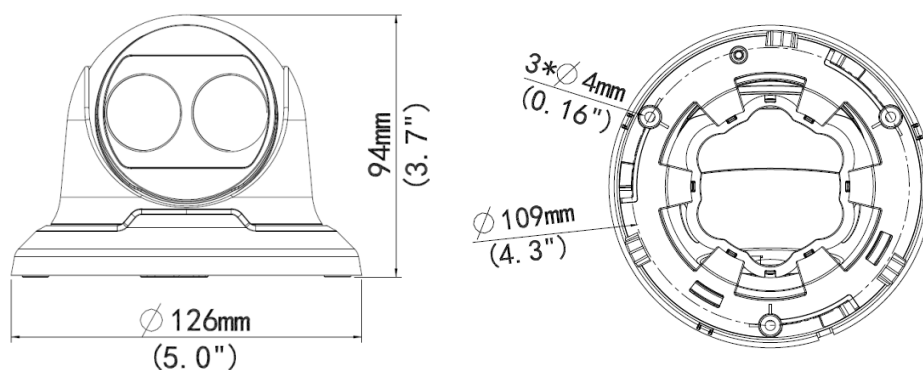
- Wide temperature range: -30°C ~ 60°C (-22°F ~ 140°F)
- Wide voltage range of ±25%
- IP67
- 3-Axis

## Specifications

|                      | IPC3618SR3-DPF28M  | IPC3618SR3-DPF40M |                |               |                     |
|----------------------|--|-------------------|----------------|---------------|---------------------|
| <b>Camera</b>        |  |                   |                |               |                     |
| Sensor               | 1/2.5", 8.0 megapixel, progressive scan, CMOS  |                   |                |               |                     |
| Lens                 | 2.8mm@F2.0   |                   | 4.0mm@F2.0     |               |                     |
| Angle of view (H)    | 118.1°   |                   | 91.6°          |               |                     |
| Angle of view (V)    | 64.0°  |                   | 47.2°          |               |                     |
| Angle of view (O)    | 153.5°   |                   | 112.7°         |               |                     |
| DORI Distance        | Lens (mm)  | Detect (m)        | Observe (m)    | Recognize (m) | Identify (m)        |
|                      | 2.8  | 50.4              | 20.2           | 10.1          | 5.0                 |
|                      | 4.0  | 72                | 28.8           | 14.4          | 7.2                 |
| Adjustment Range     | Pan: 0° ~ 360°   |                   | Tilt: 0° ~ 90° |               | Rotation: 0° ~ 360° |
| Shutter              | Auto/Manual, 1 ~ 1/100000s   |                   |                |               |                     |
| Minimum Illumination | Colour: 0.05Lux (F2.0, AGC ON)<br>0Lux with IR   |                   |                |               |                     |
| Day/Night            | IR-cut filter with auto switch (ICR)   |                   |                |               |                     |
| S/N                  | >52dB  |                   |                |               |                     |
| IR Range             | Up to 30m (98ft) IR range  |                   |                |               |                     |
| wavelength           | 850nm  |                   |                |               |                     |
| IR On/Off Control    | Auto/Manual  |                   |                |               |                     |
| Defog                | Digital Defog  |                   |                |               |                     |
| WDR                  | 120dB  |                   |                |               |                     |
| <b>Video</b>         |  |                   |                |               |                     |
| Video Compression    | Ultra 265, H.264, MJPEG  |                   |                |               |                     |
| H.264 code profile   | Baseline profile, Main Profile, High Profile   |                   |                |               |                     |
| Frame Rate           | Main Stream: 8MP (3840*2160), Max 20fps;<br>Sub Stream: 1080P (1920*1080), Max 30fps;<br>Third Stream: D1 (720*576), Max 30fps |                   |                |               |                     |
| Video Bit Rate       | 128 Kbps~16 Mbps   |                   |                |               |                     |
| 9:16 Corridor Mode   | Supported  |                   |                |               |                     |
| OSD                  | Up to 8 OSDs   |                   |                |               |                     |

|                         |  |
|-------------------------|--|
| Privacy Mask            | Up to 8 areas  |
| ROI                     | Up to 8 areas  |
| Motion Detection        | Up to 4 areas  |
| <b>Image</b>            |  |
| White Balance           | Auto/Outdoor/Fine Tune/Sodium Lamp/Locked/Auto2  |
| Digital noise reduction | 2D/3D DNR  |
| Smart IR                | Support  |
| Flip                    | Normal/Vertical/Horizontal/180°/90°Clockwise/90°Anti-clockwise   |
| Dewarping               | Support  |
| HLC                     | Support  |
| BLC                     | Support  |
| <b>Network</b>          |  |
| Protocols               | IPv4, IGMP, ICMP, ARP, TCP, UDP, DHCP, RTP, RTSP, RTCP, DNS, DDNS, NTP, FTP, UPnP, HTTP, HTTPS, SMTP, SSL, QoS |
| Compatible Integration  | ONVIF (Profile S, Profile T), API  |
| Client                  | EZStation<br>EZView<br>EZLive  |
| Web Browser             | Plug-in required live view: IE9+, Chrome 41 and below, Firefox 52 and below                                    |
|                         | Plug-in free live view: Chrome 57.0+, Firefox 58.0+, Edge 16+, Safari 11+                                      |
| <b>Interface</b>        |  |
| Network                 | 10M/100M Base-TX Ethernet  |
| <b>Certifications</b>   |  |
| Certifications          | CE: EN 60950-1<br>UL: UL60950-1<br>FCC: FCC Part 15  |
| <b>General</b>          |  |
| Power                   | DC 12V±25%, PoE (IEEE 802.3af)   |
|                         | Power consumption: Max 5.5W  |
| Dimensions (Ø x H)      | Ø126 x 94mm (Ø5.0" x 3.7")   |
| Net Weight              | 0.45kg (0.99lb)  |
| Material                | Front cover: metal<br>Rear cover: metal<br>Bracket: metal<br>Bottom plate: metal<br>decorative cover: plastic  |
| Working Environment     | -30°C ~ 60°C (-22°F ~ 140°F), Humidity: ≤95% RH (non-condensing)   |
| Storage Environment     | -30°C ~ 60°C (-22°F ~ 140°F), Humidity: ≤95% RH (non-condensing)   |
| surge protection        | 2KV  |
| Ingress Protection      | IP67   |

## Dimensions



## Accessories

TR-JB03-H-IN



TR-JB07/WM03-F-IN



TR-WM03-B-IN



TR-A01-IN



TR-UP06-IN



TR-SE24-IN



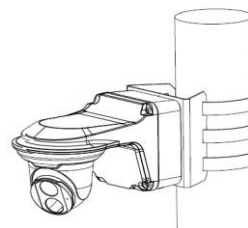
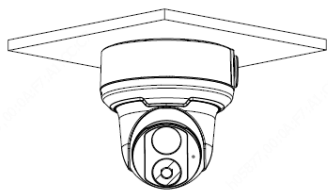
TR-SE24-A-IN



TR-CM24-IN



| Junction box           | Pole mount                                   |
|------------------------|--|
| TR-JB03-H-IN+TR-A01-IN | TR-JB07/WM03-F-IN (TR-WM03-B-IN)+ TR-UP06-IN |



Indoor pendant mount

TR-JB04-D-IN+TR-A01-IN+ TR-SE24-IN(TR-SE24-A-IN)+ TR-CM24-IN



**Zhejiang Uniview Technologies Co., Ltd.**

Building No.10, Wanlun Science Park, Jiangling Road 88, Binjiang District, Hangzhou, Zhejiang, China (310051)

Email: [overseasbusiness@uniview.com](mailto:overseasbusiness@uniview.com); [globalsupport@uniview.com](mailto:globalsupport@uniview.com)

<http://www.uniview.com>

©2019 Zhejiang Uniview Technologies Co., Ltd. All rights reserved.

\*Product specifications and availability are subject to change without notice.